

DRAFTMAX ECO

DOWNDRAFT TABLE

The DraftMax Eco is a workbench, to be connected to an external extraction/filter system. Approx. 80% of the air is extracted through the backdraft panel and the remaining 20% through the work grid. Extraction facility to be connected to air outlet on top of the backdraft panel.

The DraftMax Eco contains no filters, but can be equipped with optional spark arresters to be mounted in the backdraft panel. The dust collection tray is prepared for two optional dust containers. Depending on the specific application, the downdraft table can be provided with a special work grid.

The working height of the downdraft table is adjustable.



APPLICATIONS

The DraftMax Eco is intended to be used for the following applications:



- MIG-MAG/GMAW welding
- TIG welding
- FCAW welding
- stick/MMAW welding
- grinding
- cutting (max. 50 A)¹⁾

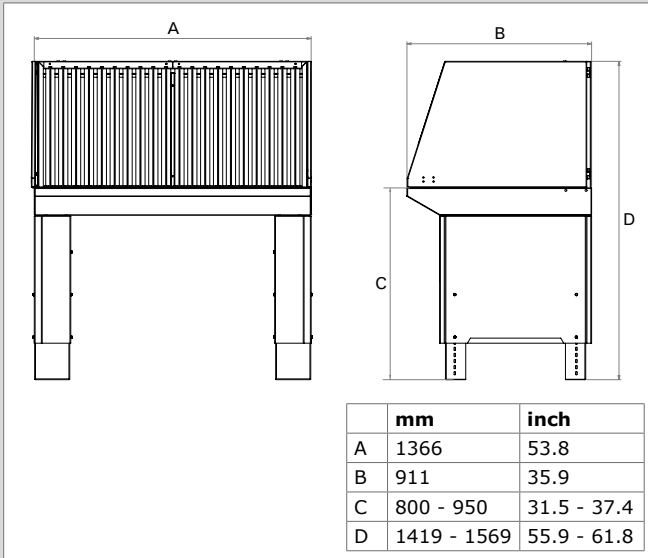
¹⁾ Provided the downdraft table is fitted with the right accessories (refer to Available options/accessories)

SPECIFICATIONS

■ Physical dimensions and properties	
Dimensions work grid (L x W)	1366 x 750 mm (53.8 x 29.5 in.)
Working height adjustment	800 - 950 mm (31.5 - 37.4 in.)
Material:	<ul style="list-style-type: none"> • epoxy-coated sheet metal • galvanized steel
Colour:	<ul style="list-style-type: none"> • black RAL 9005 • yellow RAL 1004
Weight (net)	150 kg (330 lbs)
Maximum load	250 kg (550 lbs)
■ Performance	
Recommended extraction capacity	3000 m ³ /h
■ Pressure drop	
Pressure drop:	<ul style="list-style-type: none"> • 315 Pa at 3200 m³/h (1.26 in. WG/0.046 p.s.i. at 1900 CFM) • 450 Pa at 3000 m³/h (1.81 in. WG/0.065 p.s.i. at 1770 CFM)
• DraftMax Eco with optional spark arresters	
■ Ambient conditions	
Operating temperature:	<ul style="list-style-type: none"> • Min. 5°C (41°F) • Nom. 20°C (68°F) • Max. 40°C (104°F)

Max. relative humidity	80%
Outdoor use allowed	no
Storage conditions	<ul style="list-style-type: none"> • 5-40°C (41-104°F) • relative humidity max. 80%
■ Available options/accessories	
Spark arresters	to be mounted in backdraft panel
Connection piece	for connection to extraction duct Ø 315 mm (US: 12 in.)
Plasma cutting work grid	required for plasma cutting applications (max. 50 A)
Working light	
Bench vice mounting bracket	
Dust container	1 or 2; to be inserted in bottom of dust collection tray
■ Scope of supply	
Dust collection tray - Work grid (two-piece) - Side panel (2) - Backdraft panel - Frame with vertical lamellas (2) - Leg (4) - Adjusting foot (4) - Leg cover (2) - Fixing material	
■ Order information	
Article number	7204700000
Number/package	1
■ Shipping date	
Gross weight (excl. pallet)	165 kg (364 lbs)
Packing dimensions	1390 x 970 x 760 mm (54.7 x 38.2 x 29.9 in.)
Pallet size	1420 x 970 x 145 mm (55.9 x 38.2 x 5.7 in.)
Max. number/pallet	2
Harmonized Tariff Code	8421.9900.99

DIMENSIONS



FEATURES

Adjustable to sitting and standing height



Application restrictions

Do **not** use the product for the following applications or in the following circumstances: arc-air gouging | aluminum laser cutting | oil mist | heavy oil mist in welding fume | extraction of aggressive fumes and gases (e.g. from acids, from alkaline, from soldering paste containing lithium) | extraction of hot gases (more than 45°C/113°F continuously) | grinding aluminium and magnesium | flame spraying | extraction of cement, saw dust, wood dust etc. | sucking cigarettes, cigars, oiled tissues and other burning particles, objects and acids | explosive environments or explosive substances/gases

Product type	DraftMax Eco
Article no.	7204700000
Product category	Downdraft tables
Version	080716/F

Always check the latest version on www.plymovent.com